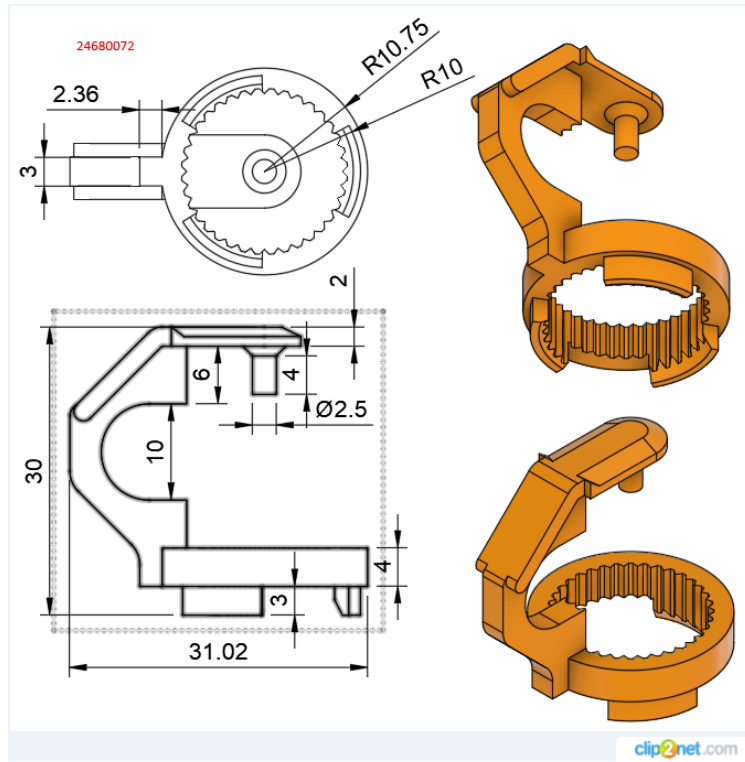




Steering rack protection cap Part No. 24680072



Alternative part number	Application
HDZ1865	10.00*31.02*30.00

More new products at <https://www.atg-components.com/warehouse-news>